



FILL-RITE®

PROUDLY MANUFACTURED BY TUTHILL

H-SERIES TECHNICAL DATA SHEET

SERIES: FR1200, FR2400, FR4200, FR4400, FR600, SD1200, SD600

A series of fuel transfer pumps with UL/cUL certifications that are compatible with gasoline, diesel, fuel blends such as biodiesel up to 20% and gasoline with up to 15% ethanol, mineral spirits, and kerosene.

| PRODUCT PARTS | PRODUCT MATERIALS |
|---------------|--|
| Pump Housing | Cast Iron |
| Rotor | Powdered Iron |
| Vane | Sintered Bronze |
| Strainer Mesh | Stainless Steel |
| Wetted | Buna-N, Fluorocarbon, Ceramic, Cork, Thermoset, Steel, Stainless Steel |

| | | DESCRIPTION | FR1200 | FR4200 | SD1200 | FR4400 | FR2400 | FR600 | SD600 | |
|--------------------------------|----------------------------|-------------|--|--------|--------|--------|--------|-------------------|-------|--|
| MOTOR | VOLTAGE, SUPPLY (DC/AC) | | 12V DC | | | 24V DC | | 115V AC / 60HZ | | |
| | POWER (HP) | | 1/4 TH | | | | | 1/6 TH | | |
| | AMPS (FULL LOAD) | | 26 | 28 | 26 | 18 | 15 | 2.5 | | |
| | AMPS (RATED) | | 20 | 19 | 20 | 13 | 10 | 2.0 | | |
| | RPM | | 2600 RPM | | | | | 2000 RPM | | |
| | POWER CORD* | LENGTH | 18' | | 15' | 18' | | NOT INCLUDED | | |
| | | AWG | 12 | | | | | | | |
| | DUTY CYCLE | | 30 MINUTES (ON), THEN 30 MINUTES (OFF) | | | | | | | |
| | THERMAL PROTECTION (MOTOR) | | YES | | | | | | | |
| RECOMMENDED CIRCUIT PROTECTION | | 30 AMP | | | 20 AMP | | 15 AMP | | | |

*Power cord not included in pump only models.

| | | DESCRIPTION | FR1200 | FR4200 | SD1200 | FR4400 | FR2400 | FR600 | SD600 | |
|----------|---------------------------------|--|-------------------|--------|----------|--|----------|-------|--------|--|
| PUMP | MAXIMUM GPM | | 15 | 20 | 13 | 20 | 15 | | 13 | |
| | BYPASS PRESSURE | | 16 PSI | | | | | | | |
| | MINIMUM DRY VAC | | 5 IN-HG | | | | | | | |
| | AT SEA LEVEL 70° F (21.1° C) | SUCTION LIFT | 8' MAXIMUM | | | | | | | |
| | | OUTLET HEAD | 37' MAXIMUM | | | | | | | |
| | INLET | | 1" NPT | | | | | | | |
| | OUTLET | | 3/4" NPT | 1" NPT | 3/4" NPT | 1" NPT | 3/4" NPT | | | |
| | MOUNT | | 2" NPT INLET BUNG | | | | | | | |
| WARRANTY | | LIMITED LIFETIME WARRANTY [†] | | | 1 YEAR | LIMITED LIFETIME WARRANTY [†] | | | 1 YEAR | |

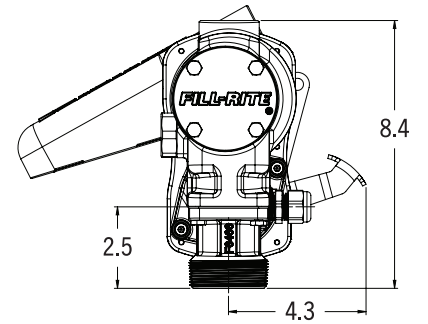
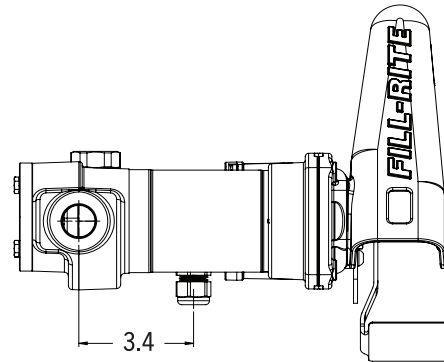
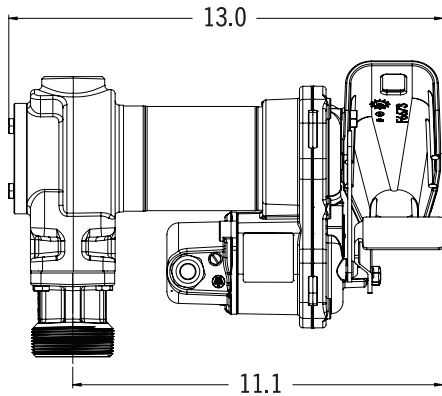
[†] Warranty details can be found at fillrite.com.

H-SERIES MODEL INFORMATION: FR1200, FR2400, FR4200, FR4400, FR600, SD1200, SD600

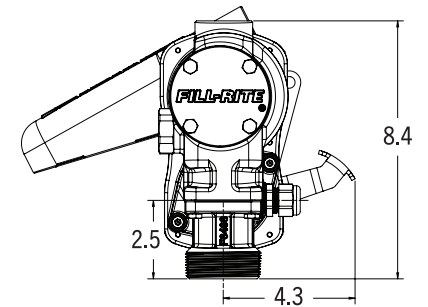
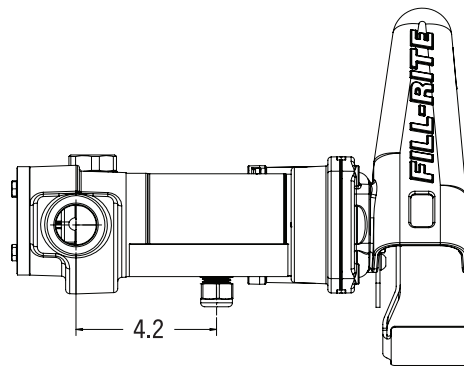
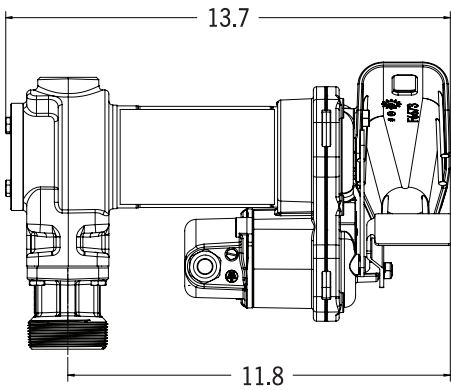
| MODEL NUMBER | NOZZLE | HOSE | METER | INLET TUBE | POWER CORD | SPECIAL | VOLTAGE | OUTLET |
|--------------|-----------------|--------|--------|--------------------------------------|------------------------------|---------|---------|--------|
| FR1204H | PUMP ONLY MODEL | | | | | | 12V DC | 3/4" |
| FR1210H | MANUAL | 12' | | METAL, TELESCOPING, 20" - 34 1/2" | 12 AWG AT 18' | | | |
| FR1210HA | AUTO GASOLINE | 12' | | | | | | |
| FR1210HA1 | AUTO DIESEL | 12' | | | | | | |
| FR1210HARC | AUTO ARCTIC | 15' | | | | SWIVEL | | |
| FR1210HN | | | | | | | | |
| FR1211H | MANUAL | 12' | 807C | | | | | |
| FR1211HL | MANUAL | 12' | 807CL | | | | | |
| FR1211HLN | | | 807CL | | | | | |
| FR1211HN | | | 807C | | | | | |
| FR1219H | MANUAL | 12' | TT10AN | | | | | |
| FR2404H | PUMP ONLY MODEL | | | | | | 24V DC | |
| FR2410H | MANUAL | 12' | | METAL, TELESCOPING, 20" - 34 1/2" | 12 AWG AT 18' | | | |
| FR2411H | MANUAL | 12' | 807C | | | | | |
| FR2411HL | MANUAL | 12' | 807CL | | | | | |
| FR4204H | PUMP ONLY MODEL | | | | | | 12V DC | 1" |
| FR4210H | MANUAL | 12' | | METAL, TELESCOPING, 20" - 34 1/2" | 12 AWG AT 18' | | | |
| FR4210HARC | AUTO ARCTIC | 20' | | | | SWIVEL | | |
| FR4210HB | ULTRA HI-FLOW | 12' | | | | | | |
| FR4210HD | AUTO DIESEL | 12' | | | | | | |
| FR4210HDS | AUTO DIESEL | 12' | | | | SWIVEL | | |
| FR4210HBFQ | ULTRA HI-FLOW | 18' | | | 10 AWG AT 25' WITH CLAMPS | FILTER | | |
| FR4210HN | | | | | 12 AWG AT 18' | | | |
| FR4211H | MANUAL | 12' | 901C | | | | | |
| FR4211HL | MANUAL | 12' | 901CL | | | | | |
| FR4211HLN | | | 901CL | | | | | |
| FR4211HN | | | 901C | | | | | |
| FR4219H | MANUAL | 12' | TT10AN | | | | | |
| FR4406H | PUMP ONLY MODEL | | | | | | 24V DC | |
| FR4410H | MANUAL | 12' | | METAL, TELESCOPING, 20" - 34 1/2" | | | | |
| FR604H | PUMP ONLY MODEL | | | | | | 115V AC | |
| FR610H | MANUAL | 12' UL | | METAL, TELESCOPING, 20" - 34 1/2" | | | | |
| FR610HA | AUTO GASOLINE | 12' UL | | | | | | |
| SD1202H | MANUAL | 10' | | PVC, 15 1/4" - 29 1/4" | 12 AWG AT 15' | | 3/4" | |
| SD1202HA | AUTO GASOLINE | 10' | | | 12 AWG AT 15' | 12V DC | | |
| SD602H | MANUAL | 12' UL | | PVC, 15 1/4" - 43 1/4" | | 115V AC | | |

DIMENSIONAL DATA INFORMATION

FR1200, FR2400, FR4400, FR600, SD1200, and SD600 (Dimensions displayed in inches)

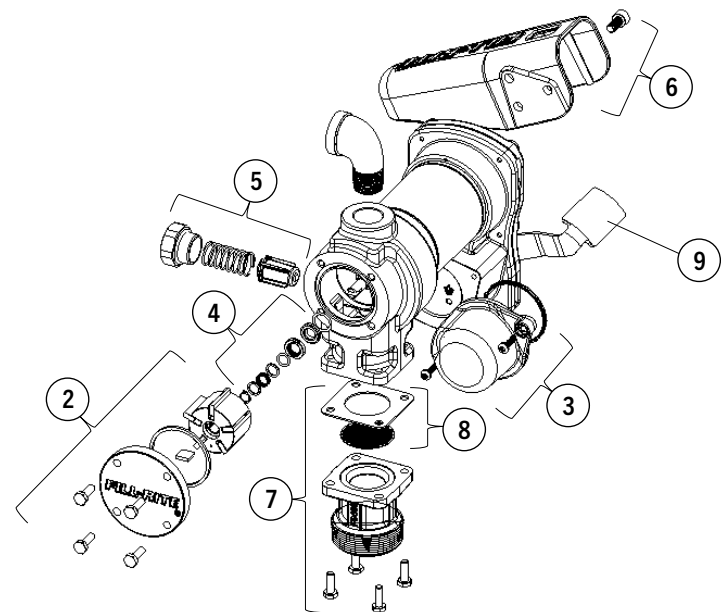


FR4200 (Dimensions displayed in inches)



KIT INFORMATION

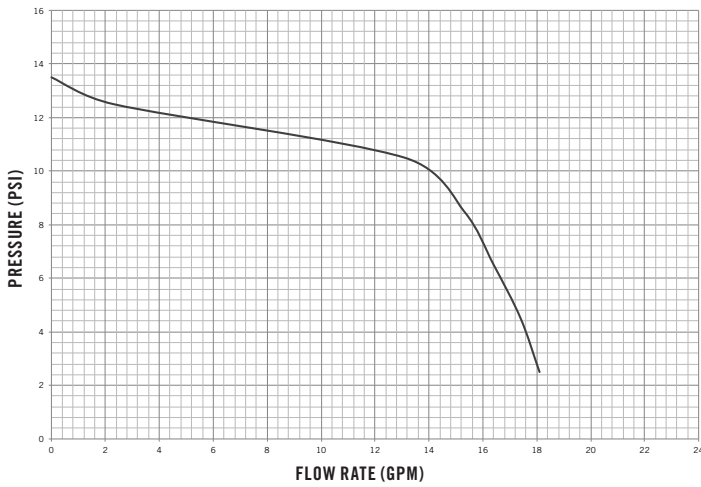
| # | Kit | Description | Parts |
|---|-----------|-------------------------|---|
| 1 | KIT120BD* | BioDiesel Kit* | O-ring seal, bypass valve poppet, bypass cap seal, inlet seal |
| 2 | KIT120RGG | Rotor and Vane Kit | Rotor cover, rotor, vanes, rotor key, O-ring seal, attaching hardware |
| 3 | KIT120JCH | Junction Cover Kit | Junction cover, seal, fasteners |
| 4 | KIT120SL | Seal Kit | O-ring, shaft seals, retainer clip |
| 5 | KIT120BV | Bypass Service Kit | Bypass valve, valve spring, bypass cap, O-ring seal |
| 6 | KIT120NB | Nozzle Boot Kit | Nozzle boot, attaching hardware |
| 7 | KIT120BG | Inlet Flange Kit | Inlet flange (bung), attaching hardware, inlet seal, screen |
| 8 | KIT120SG | Inlet Gasket and Screen | Gasket for inlet (bung) and screen |
| 9 | KIT120SWH | Switch Lever Kit | Switch lever, mounting hardware |



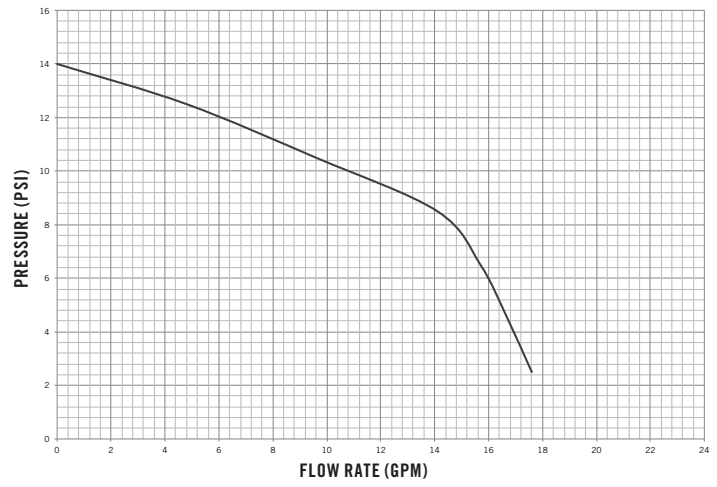
*KIT120BD not called out in diagram to the right

PERFORMANCE CURVES: FR1200, FR2400, FR4200, FR4400, and FR600 SERIES

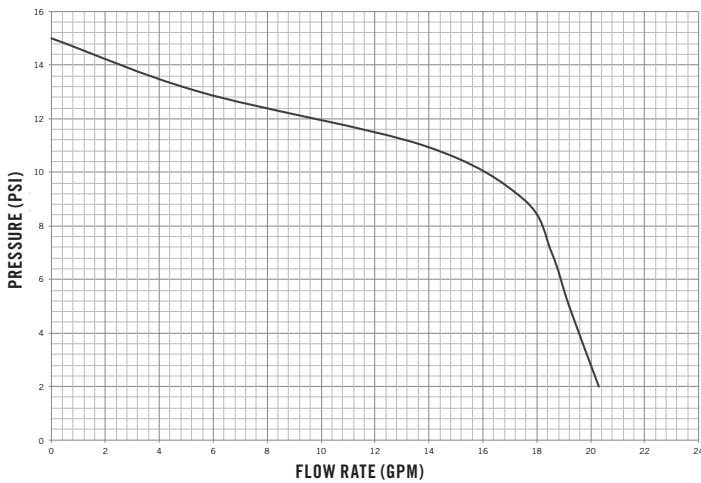
PERFORMANCE CURVE: 1200 SERIES (12V DC)



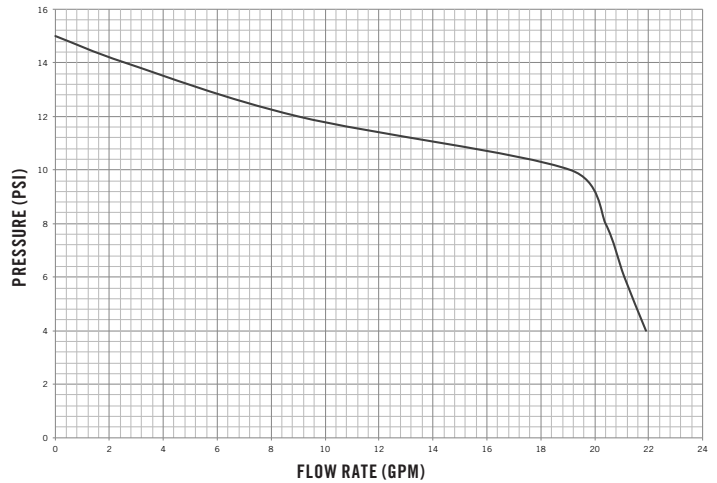
PERFORMANCE CURVE: 2400 SERIES (24V DC)



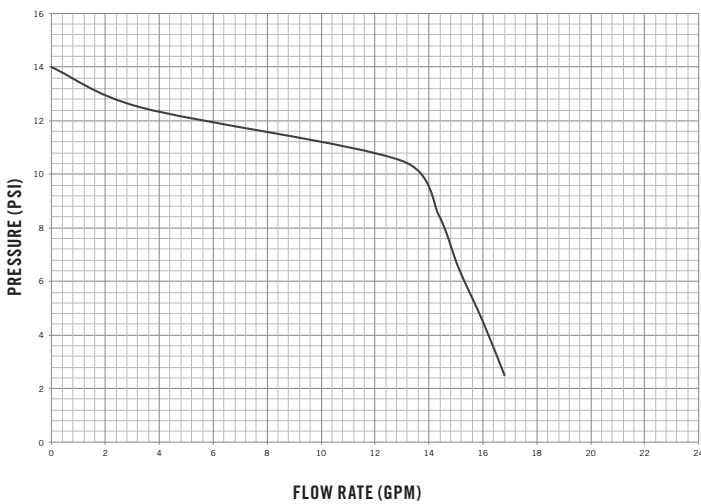
PERFORMANCE CURVE: 4200 SERIES (12V DC)



PERFORMANCE CURVE: 4400 SERIES (24V DC)



PERFORMANCE CURVE: 600 SERIES (115V AC)



FIL-BR-693



8825 Aviation Drive | Fort Wayne, Indiana 46809
 P (800) 634-2695 or (260) 747-7524 | F (800) 866-4861
www.fillrite.com